

# Technical data sheet



## Product features

### Cooking range gas with static gas oven GN 2/1 - 6x burner

<b>Model</b>	<b>SAP Code</b>	00110115
--------------	-----------------	----------



- Device type: Gas unit
- Power consumption of the zone 1 [kW]: 7,5
- Power consumption of the zone 2 [kW]: 7,5
- Power consumption of the zone 3 [kW]: 7,5
- Power consumption of the zone 4 [kW]: 7,5
- Power consumption of the zone 5 [kW]: 4,5
- Power consumption of the zone 6 [kW]: 4,5
- Ignition: Eternal flame
- Type of internal part of the appliance 1 (eg oven): Gas
- Type of internal part of the appliance 2 (eg oven): Static
- Material: AISI 304 top plate, AISI 430 cladding

<b>SAP Code</b>	00110115	<b>Power consumption of the zone 3 [kW]</b>	7,5
<b>Net Width [mm]</b>	1200	<b>Power consumption of the zone 4 [kW]</b>	7,5
<b>Net Depth [mm]</b>	700	<b>Power consumption of the zone 5 [kW]</b>	4,5
<b>Net Height [mm]</b>	900	<b>Power consumption of the zone 6 [kW]</b>	4,5
<b>Net Weight [kg]</b>	141.00	<b>Type of internal part of the appliance 1 (eg oven)</b>	Gas
<b>Power gas [kW]</b>	45.000	<b>Type of internal part of the appliance 2 (eg oven)</b>	Static
<b>Type of gas</b>	Natural gas, propane butane	<b>Width of internal part [mm]</b>	657
<b>Number of zones</b>	6	<b>Depth of internal part [mm]</b>	558
<b>Power consumption of the zone 1 [kW]</b>	7,5	<b>Height of internal part [mm]</b>	355
<b>Power consumption of the zone 2 [kW]</b>	7,5	<b>Diameter of device [mm]</b>	100

# Technical data sheet



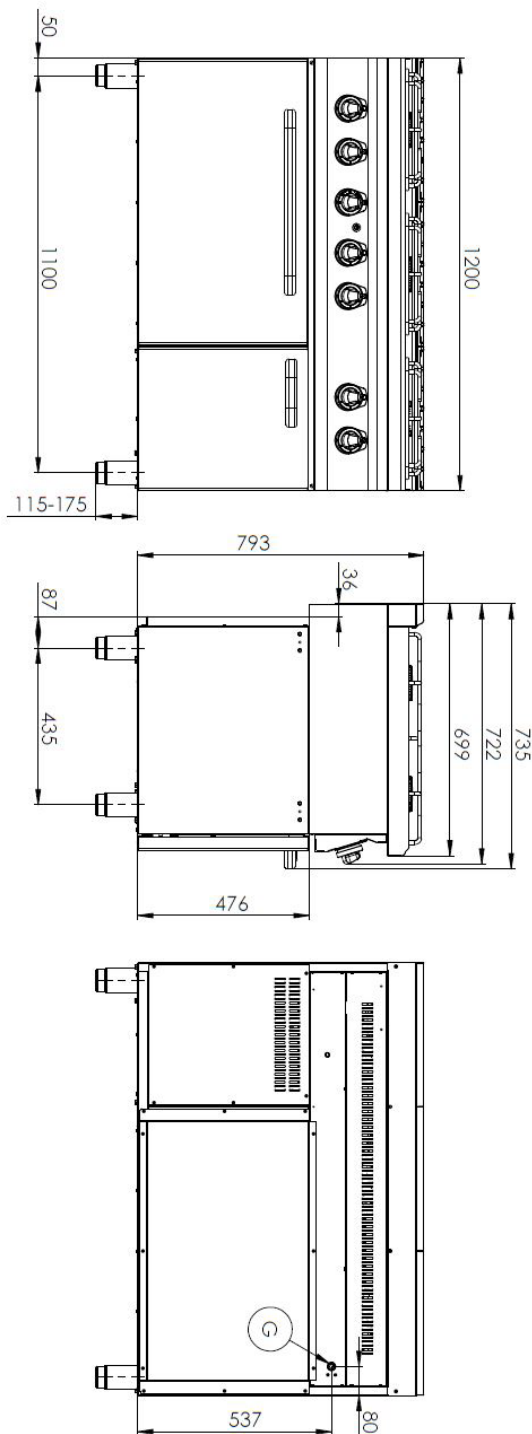
Technical drawing

Cooking range gas with static gas oven GN 2/1 - 6x burner

Model

SAP Code

00110115



# Technical data sheet



## Product benefits

### Cooking range gas with static gas oven GN 2/1 - 6x burner

<b>Model</b>	<b>SAP Code</b>	00110115
--------------	-----------------	----------

1

#### Massive construction of burners

- high performance and efficiency
- brass burners removable
- eternal flame
- long life
- demountable
  - energy saving (perfect combustion)
  - time saving for food preparation
  - easy maintenance/cleaning

2

#### Hygienic moldings of the top plate

- absence of sharp corners and edges (potential places where dirt could stick)
- smooth transitions
  - easy quick cleaning

3

#### Degree of protection of the control elements IPX4

- maintenance-free system
- resistance to splash water
- long life
  - savings on service interventions
  - easy cleaning and maintenance of equipment

4

#### All-stainless design

- long life
- resistance of a ground steel plate with a thickness of 10 mm
  - savings on service interventions
  - higher corrosion resistance

5

#### Safety element – thermocouple

- safe operation for personnel
- there is no overheating and damage to the thallus
- long life
  - savings on service interventions
  - easier and faster operation

6

#### Large electric oven with four positions for racks with static cooking

- possibility of baking
- high capacity and variability
- all-stainless design
  - suitable for yeast dishes and desserts
  - long service life
  - easy to clean

# Technical data sheet



## Technical parameters

### Cooking range gas with static gas oven GN 2/1 - 6x burner

**Model**

**SAP Code**

00110115

**1. SAP Code:**

00110115

**2. Net Width [mm]:**

1200

**3. Net Depth [mm]:**

700

**4. Net Height [mm]:**

900

**5. Net Weight [kg]:**

141.00

**6. Gross Width [mm]:**

1240

**7. Gross depth [mm]:**

800

**8. Gross Height [mm]:**

975

**9. Gross Weight [kg]:**

157.00

**10. Device type:**

Gas unit

**11. Construction type of device:**

With substructure

**12. Power gas [kW]:**

45.000

**13. Ignition:**

Eternal flame

**14. Type of gas:**

Natural gas, propane butane

**15. Material:**

AISI 304 top plate, AISI 430 cladding

**16. Worktop material:**

AISI 304

**17. Worktop Thickness [mm]:**

1.20

**18. Number of zones:**

6

**19. Power consumption of the zone 1 [kW]:**

7,5

**20. Power consumption of the zone 2 [kW]:**

7,5

**21. Power consumption of the zone 3 [kW]:**

7,5

**22. Power consumption of the zone 4 [kW]:**

7,5

**23. Power consumption of the zone 5 [kW]:**

4,5

**24. Power consumption of the zone 6 [kW]:**

4,5

**25. Number of power control stages:**

6

**26. Safety thermostat up to x ° C:**

360

**27. Adjustable feet:**

Yes

**28. Number of burners/hot plates:**

6

# Technical data sheet



Technical parameters

## Cooking range gas with static gas oven GN 2/1 - 6x burner

<b>Model</b>	<b>SAP Code</b>	00110115
--------------	-----------------	----------

**29. Diameter of device [mm]:**

100

**34. Depth of internal part [mm]:**

558

**30. Type of gas cooking zones:**

Brass burners

**35. Height of internal part [mm]:**

355

**31. Type of internal part of the appliance 1 (eg oven):**

Gas

**36. Maximum temperature of the inner chamber [°C]:**

300

**32. Type of internal part of the appliance 2 (eg oven):**

Static

**37. Minimum temperature of the inner chamber [°C]:**

50

**33. Width of internal part [mm]:**

657